

Flanged Connector Clamps

Aluminum, Split Assembly, with 6 Mounting Holes

SPECIFICATION

Identification No.

No. **2**: With stainless steel socket cap screw DIN 912

Aluminum

Powder coated

Black, RAL 9005, textured finish **SW**

Plain, matte shot-blasted **BL**

Socket cap screws DIN 912

Stainless steel AISI 304

Hex nuts DIN 985

Stainless steel AISI 304

Self-locking via polyamide ring



INFORMATION

The clamping bore of flanged connector clamps GN 147.3 is not machined and designed for construction tubes GN 990 (see page) or DIN 2391, DIN 2395 and DIN 2462.

The square versions are also suitable for the attachment and/or use with **profile systems**.

At the screw location **z**, the socket cap screw reduces the bore cross-section for clamping.

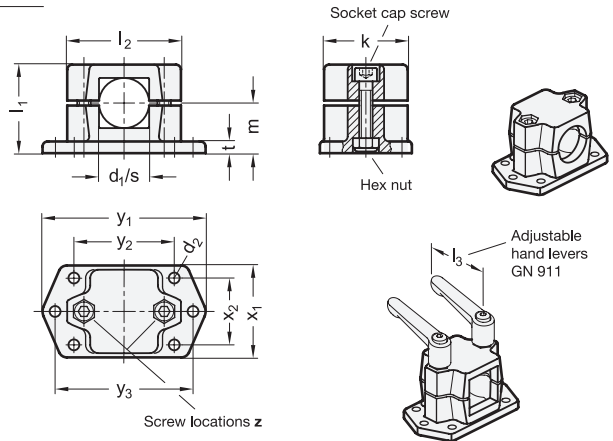
For clamping without tools, the socket cap screws can be replaced by the adjustable hand levers GN 911 (see page) listed in the table as accessories.

ACCESSORY

- Adjustable Hand Levers GN 911 (see page 1874)

TECHNICAL INFORMATION

- Stainless Steel Characteristics (see page A26)



* Complete with

SW **BL**
RAL9005 Plain

GN 147.3-B

Description	d _i Bore	d ₂	k	l ₁	l ₂	m	t	x ₁	x ₂	y ₁	y ₂	y ₃	z Screw locations	Accessory Recom. hand lever GN 911 for z l ₃	⚖
GN 147.3-B20-2-*	B 20	6.5	50	53	68	30	7	55	40	97.5	60	82.5	M8-35	63 78	78
GN 147.3-B25-2-*	B 25	6.5	50	53	68	30	7	55	40	97.5	60	82.5	M8-35	63 78	71
GN 147.3-B30-2-*	B 30	6.5	50	53	68	30	7	55	40	97.5	60	82.5	M8-35	63 78	67

GN 147.3-V

Description	S Square	d ₂	k	l ₁	l ₂	m	t	x ₁	x ₂	y ₁	y ₂	y ₃	z Screw locations	Accessory Recom. hand lever GN 911 for z l ₃	⚖
GN 147.3-V20-2-*	V 20	6.5	50	53	68	30	7	55	40	97.5	60	82.5	M8-35	63 78	75
GN 147.3-V25-2-*	V 25	6.5	50	53	68	30	7	55	40	97.5	60	82.5	M8-35	63 78	68
GN 147.3-V30-2-*	V 30	6.5	50	53	68	30	7	55	40	97.5	60	82.5	M8-35	63 78	64

Weight BL